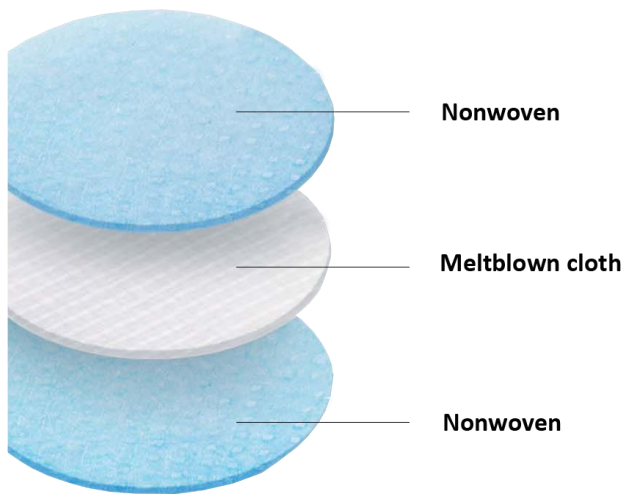


Disposable 3D Masks

Type II

Grixx Medical offers high quality disposable 3D masks that can be used by contact professions and in situations that require wearing a face mask. The masks protect the environment (clients, patients, fellow travelers, ...) against particles exhaled by the wearer.



This type II disposable 3D mask is very comfortable to wear and made of soft lightweight non-woven material. The mask consists of 3 protective layers offering optimal filtration and good ventilation during breathing. The 3D shaped design assures a perfect fit to any size or shape of the wearer's head, while the soft ear loops easily keep the mask in place. The masks are free of Latex and therefore suitable for sensitive skin

Specifications

- Type II, BFE \geq 98%
- 3-Protective layers
- Ergonomically 3D design
- Soft earloops
- Free of Latex
- For single use
- Available sizes:
 - Adults: M and L
 - Kids: XS
- 10 Pieces per pack



We are committed to testing our surgical masks on the efficiency of bacterial filtration (BFE), breathability and microbial purity and follow the European standard EN 14683.

Technical Specifications

Disposable 3D Mask – Size M Adults

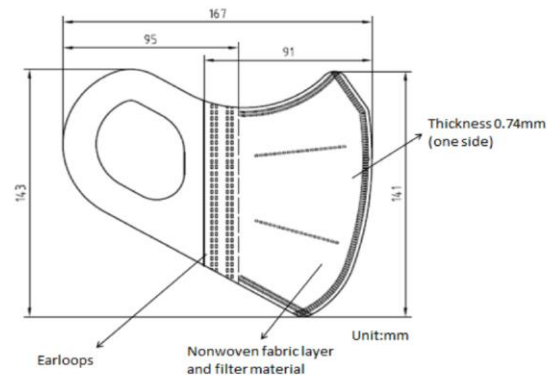
Size
M

Product Description, Weight and Dimensions

	Size M - Adults
Part number	: NEMASKM
MPN	: XCX010-II
Description	: Disposable 3D Mask Adults Size M
EAN	: 6973071550108
Finished face mask weight	: 2.42g (± 0.2g)
Finished face mask dimensions	: 141mm x 91mm (± 10mm)
Finished face mask thickness	: 0.74mm (± 0.07mm)

Technical Details

Usage	: Disposable/ single use only
Sterilization	: Non-sterile
European Standard	: EN 14683:2019+AC:2019
Classification	: Type II
Color	: White
Shape	: 3D Shaped
String type	: Soft earloop
Applicable EU regulation	: Medical Device Regulation (EU) 2017/745 – Class 1
Manufacturing standard	: ISO 13485:2016
Manufacturing	: Made in China



Technical Properties

Bacterial Filtration Efficiency (BFE)	: ≥ 98%
Differential pressure (Pa/ cm ²)	: <40
Microbial cleanliness (cfu/ g)	: ≤ 30

Material

Outer layer	: Polypropylene spunbond (non-woven)
Filtration layer	: Polypropylene melt blown (non-woven)
Inner layer	: Polypropylene spunbond (non-woven)
Soft earloop	: Elastic nonwoven fabric
Shelf life	: 18 months from date of manufacture

Keep in a dry and ventilated environment without corrosive gas. Keep it away from fire and flammables. Avoid excessive heat and direct sunlight.

Grixx
Medical

www.grixxmedical.com | info@grixxmedical.nl